

Experience the Future of Farming with the Modular Tractor Series

1. Customize your farming experience with our innovative Modular Tractor, offering a range of engine horsepower options to suit any agricultural task.
2. Adapt effortlessly to any terrain with interchangeable tyres and tracks options, ensuring optimal performance on diverse landscapes.
3. Enhance functionality with a variety of attachments, including trailers, front loaders, and agri grabbers, for a versatile farming solution.
4. Benefit from the unique dual-directional driving system, allowing you to turn the seat and drive in reverse with the same ease as driving forward.
5. The Modular Tractor Series is a cost-efficient choice, serving as multiple machines in one, reducing the need for separate equipment and streamlining your farming operations.

KINTA MODULAR TRACTOR SERIES

50-80HP



A true partner in your tractor ownership and maintenance solution.

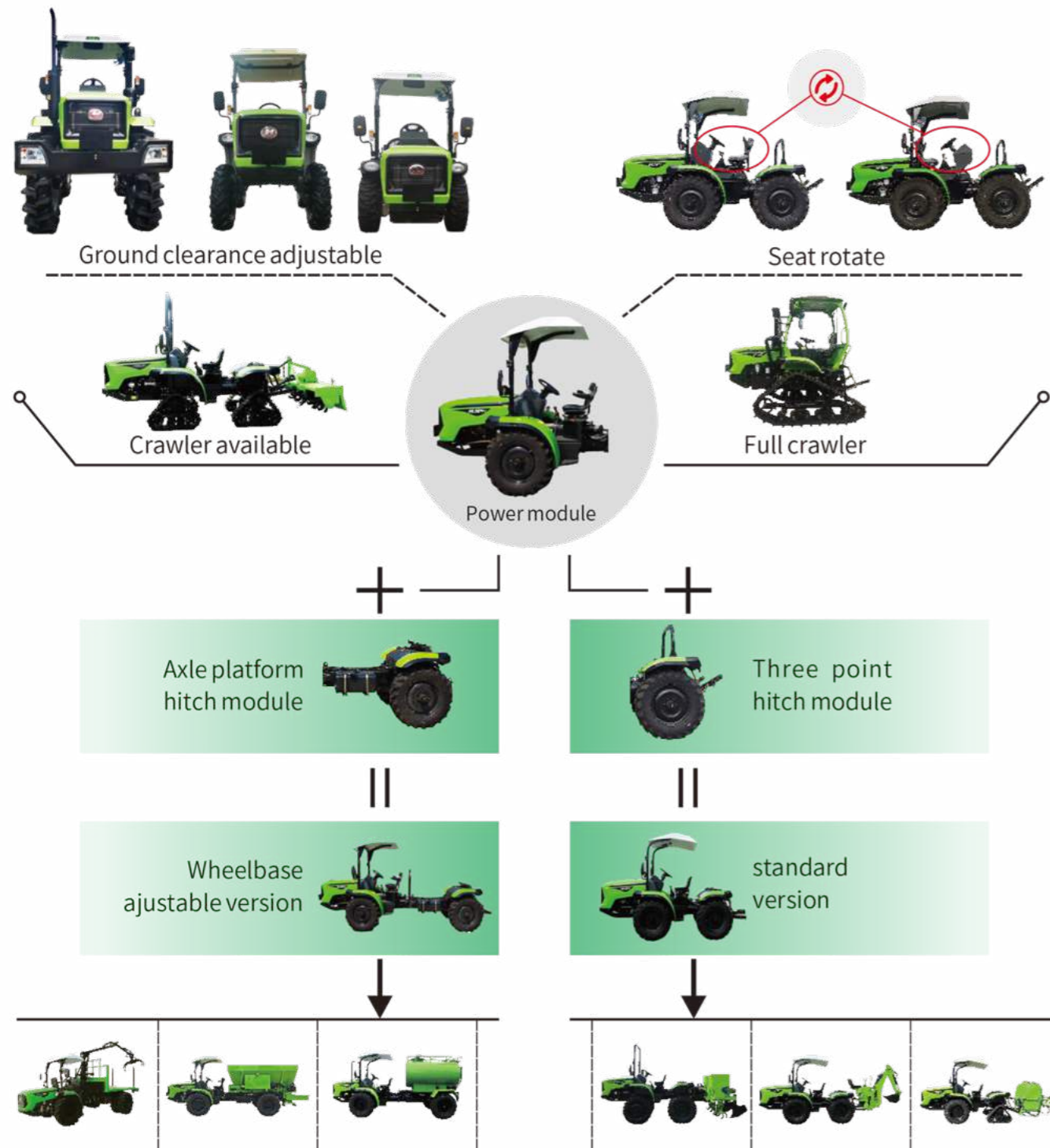
www.allplanters.com.my



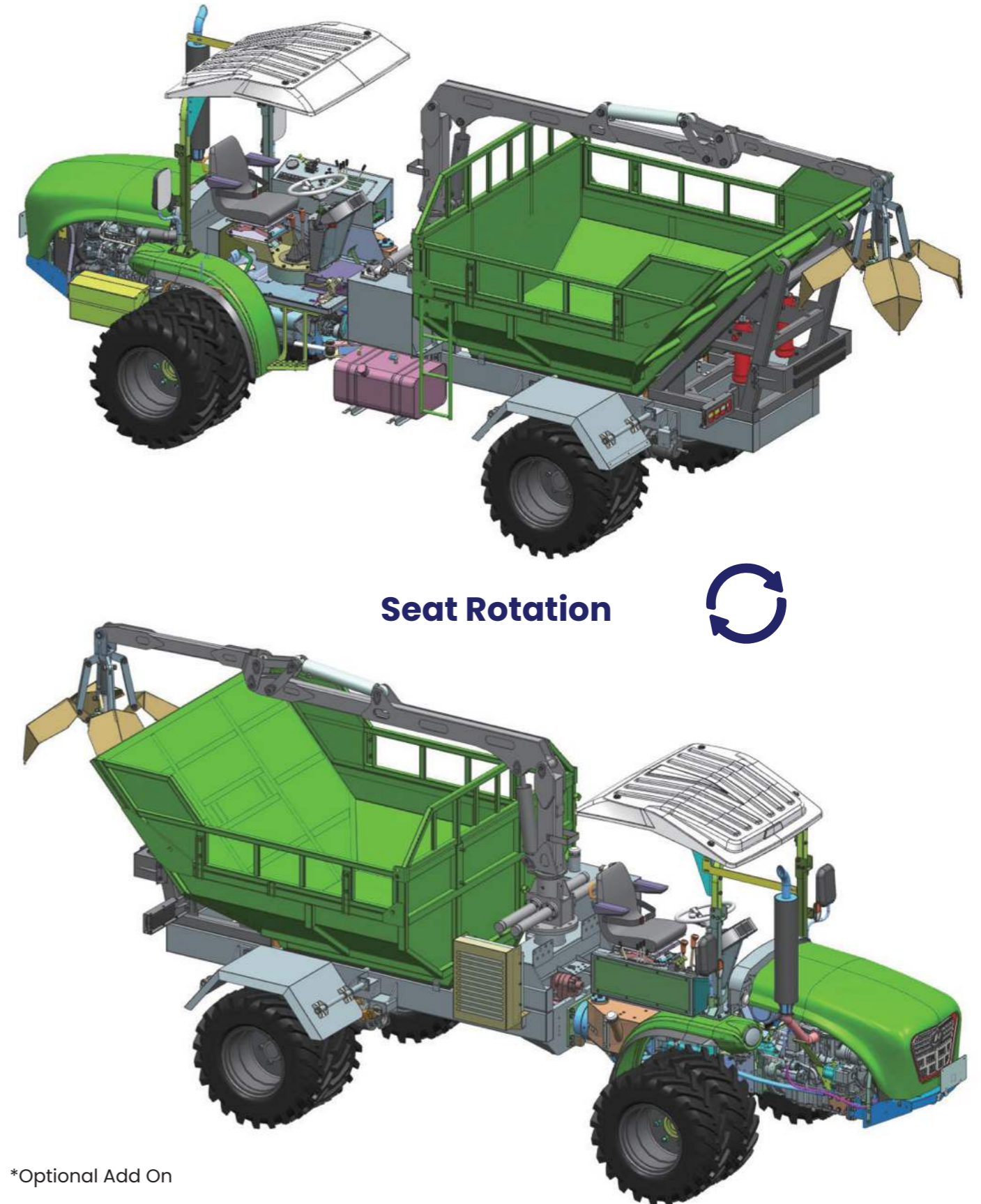
Next-Generation Tractor Technology - Innovative Solutions

1. MODULAR TRACTOR SYSTEM

- Quick Linking.
- Various combinations available.
- Cost Saving,
- More Functionality, More Flexibility



2. UNIQUE DUAL DIRECTIONAL DRIVING SYSTEM



Product Features



● Unique Feature

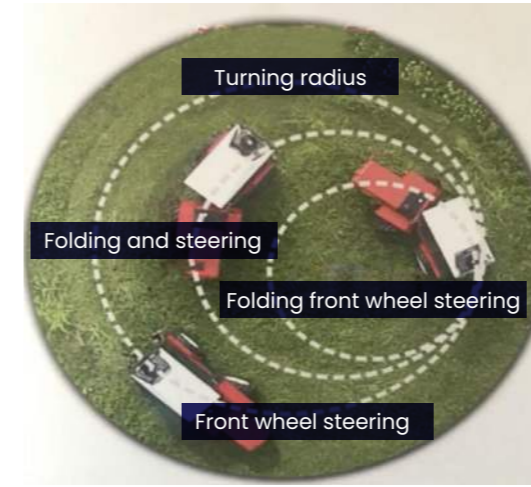
- Four-wheel drive, good off-road performance.
- The integral design of the driving front axle and the gearbox has a compact structure.
- The four wheels are fully synchronized, less tire wear and less power loss.
- When used with front and rear differential locks, it has a strong ability to get out of trouble.

● Economic and efficient

- Large FFB loading capacity, fast transportation and high efficiency.
- The whole machine has a long service life.



● Fully hydraulic articulated steering



- Small turning radius and flexible steering.
- Articulating and Oscilating, all time four wheel drive.



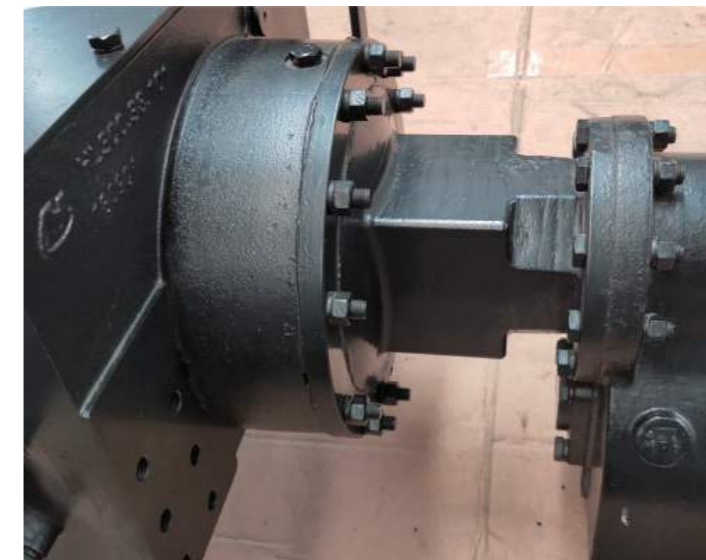
● Wheel edge structure

- Wide body tires or double tires, low pressure to the ground, large bearing capacity.
- Wheel deceleration, high ground clearance, strong pass-ability



● This product adopts FULLY ENCLOSED BRAKE SYSTEM

- Fully enclosed structure, good sealing preventing mud, water, sand and stone to enter.
- The tractor can only start when there is sufficient air. If the air brake is insufficient, the tractor will automatically lock up, thereby enhancing safety performance.



● High Ground Clearance



Specifications

Model	Kinta MS 50-GS
Engine Performance	
Engine Power hp (kW)	50 (36.8)
Max torque at 1,800rpm Nm	200
Rated engine Speed rpm	2400
Engine	
Engine Type	YCD4T12T-50
Manufacturer	Yuchai
No. of Cylinders	4
Aspiration	Naturally Aspirated
Transmission	
Gears (forward/reverse)	8/2
Clutch type	Single Dry Plate Clutch
Clutch operation	Mechanical
Steering	
Type	Full hydraulic
Steering mechanism type	Articulated steering
Brakes	
Braking type	Pneumatic mechanical enclosed braking
Parking type	Automatically air-cut brake
Weights and Capacities	
Weight kg	4270
Max grabbing mass kg	200
Rated loading kg	2500
Fuel tank litres	65
Wheel Equipment	
Tires	10.5/80-18
Tire pressure	430
Dimensions	
Wheelbase mm	3200
Overall length mm	6170
Height mm	2540
Width mm	2250
Track width mm	1640
Min turning radius mm	5760
Min ground clearance mm	420
Carriage size(LxWxH)mm	2780x1800x530
Unloading height mm	2755
The angle of dumping (°)	≤56
Max grabbing width mm	6000
Max grabbing height mm	4800

KINTA MODULAR SERIES

MS50-GS

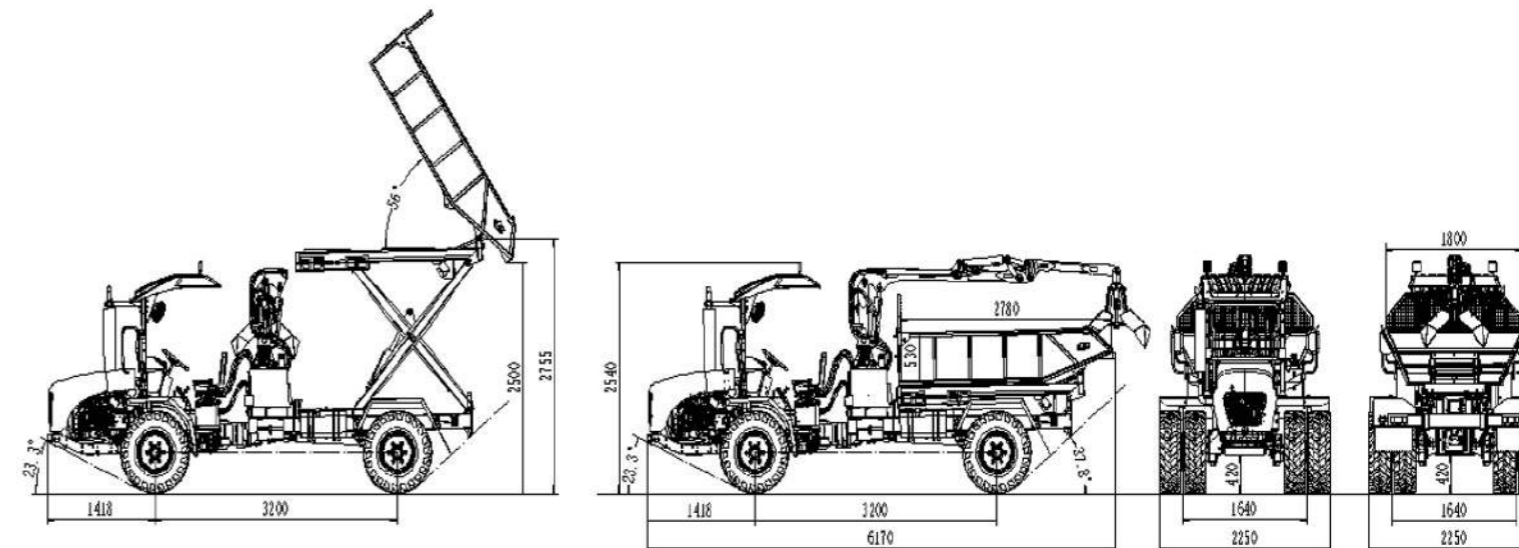
3MT CAPACITY

50HP Tractor with Scissors
Lift Trailer & Agri Grabber



Dual Tyre Option
available

Dimensions



Specifications

Model	Kinta MS 50-P	
Engine Performance		
Engine Power hp	(kW)	50 (36.8)
Max torque at 1,800rpm	Nm	200
Rated engine Speed	rpm	2400
Engine		
Engine Type	YCD4T12T-50	
Manufacturer	Yuchai	
No. of Cylinders	4	
Aspiration	Naturally Aspirated	
Transmission		
Gears (forward/reverse)	8/2	
Clutch type	Single Dry Plate Clutch	
Clutch operation	Mechanical	
Steering		
Type	Full hydraulic	
Steering mechanism type	Articulated steering	
Brakes		
Braking type	Pneumatic mechanical enclosed braking	
Parking type	Automatically air-cut brake	
Weights and Capacities		
Weight	kg	3165
Rated loading	kg	3000
Fuel tank	litres	40
Wheel Equipment		
Tires	35×19-16.1	
Tire pressure	kPa	430
Dimensions		
Wheelbase	mm	2400
Overall length	mm	5140
Height	mm	2400
Width	mm	2000
Track width	mm	1514
Min turning radius	mm	4370
Min ground clearance	mm	420
Carriage size(L×W×H)	mm	2450×1840×1400

KINTA MODULAR SERIES

MS50-P

3MT CAPACITY

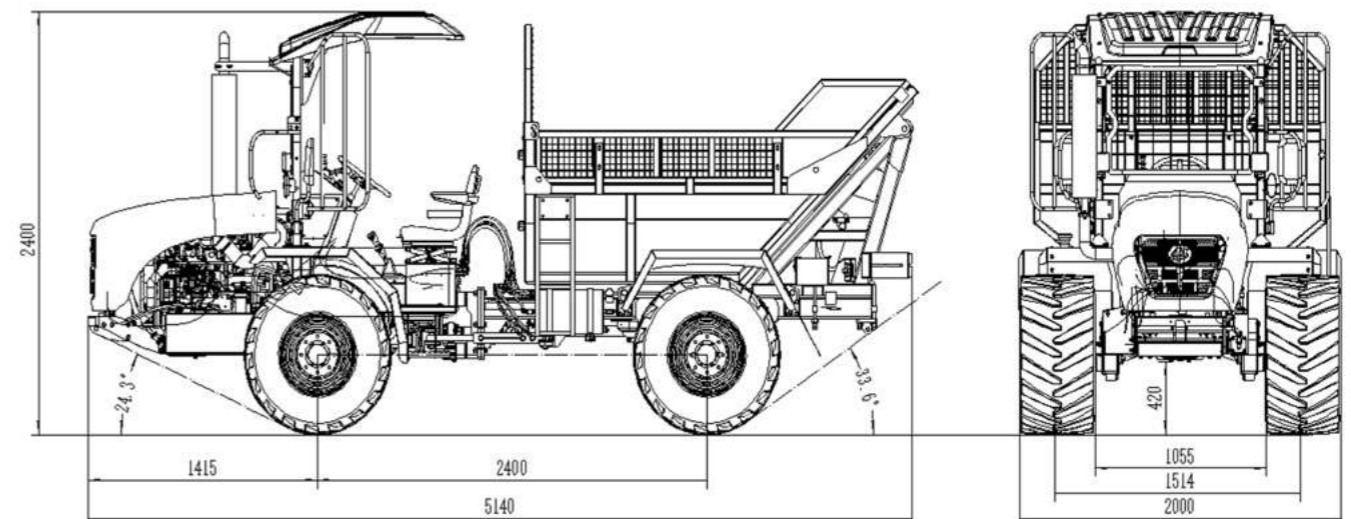
50HP Tractor with Hi-Pivot Trailer



Dual Tyre Option available

*Comes Standard With LGP Tyres

Dimensions



Specifications

Model	Kinta MS 50-S	
Engine Performance		
Engine Power hp	(kW)	50 (36.8)
Max torque at 1,800rpm	Nm	200
Rated engine Speed	rpm	2400
Engine		
Engine Type	YCD4T12T-50	
Manufacturer	Yuchai	
No. of Cylinders	4	
Aspiration	Naturally Aspirated	
Transmission		
Gears (forward/reverse)	8/2	
Clutch type	Single Dry Plate Clutch	
Clutch operation	Mechanical	
Steering		
Type	Full hydraulic	
Steering mechanism type	Articulated steering	
Brakes		
Braking type	Pneumatic mechanical enclosed braking	
Parking type	Automatically air-cut brake	
Weights and Capacities		
Weight	kg	3165
Rated loading	kg	3000
Fuel tank	litres	40
Wheel Equipment		
Tires	35×19-16.1	
Tire pressure	kPa	430
Dimensions		
Wheelbase	mm	2400
Overall length	mm	5140
Height	mm	2400
Width	mm	2000
Track width	mm	1514
Min turning radius	mm	4370
Min ground clearance	mm	420
Carriage size(L×W×H)	mm	2450×1840×1400

KINTA MODULAR SERIES

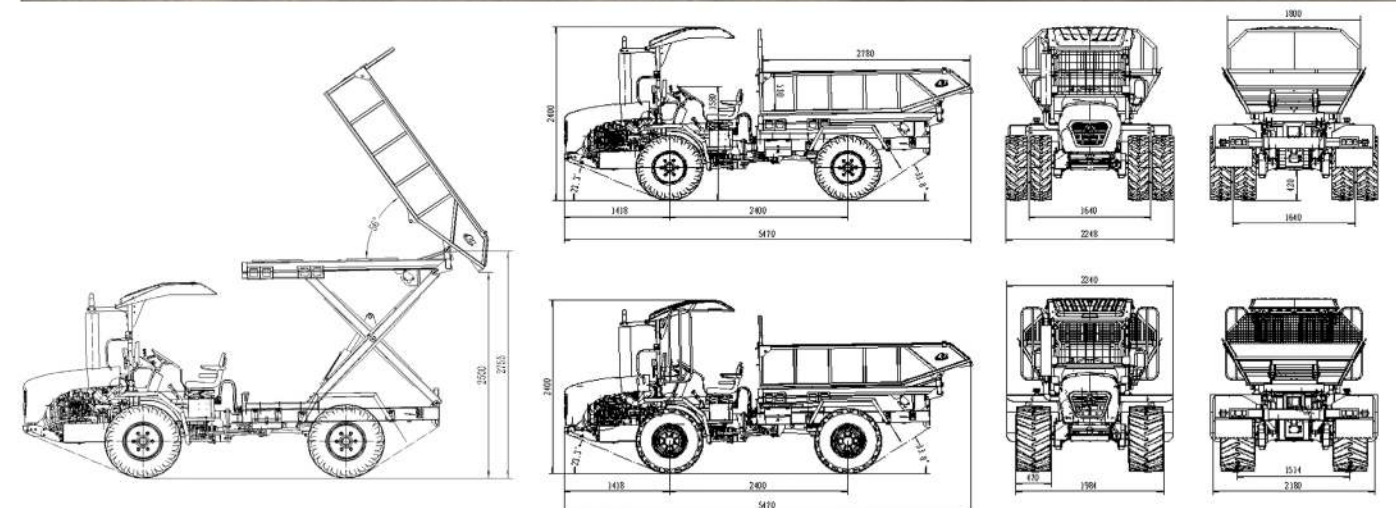
MS50-S

3MT CAPACITY

50HP Tractor with Scissors Lift Trailer



Dimensions



KINTA

Specifications

Model	Kinta MS 80	
Engine Performance		
Engine Power hp	(kW)	80 (58.8)
Max torque at 1,800rpm	Nm	193
Rated engine Speed	rpm	2200
Engine		
Engine Type	YTO YT4B4-22	
Manufacturer	YTO	
No. of Cylinders	4	
Aspiration	Naturally Aspirated	
Transmission		
Gears (forward/reverse)	8/8	
Clutch type	Single Dry Plate Clutch	
Clutch operation	Mechanical	
Steering		
Type	Full hydraulic	
Steering mechanism type	Articulated steering	
Brakes		
Front axle braking type	Pneumatic mechanical enclosed braking	
Rear axle braking type	Hydraulic mechanical closed braking	
Parking type	Hydraulic mechanical closed braking	
Weights and Capacities		
Weight	kg	3530
Fuel tank	litres	60
Wheel Equipment		
Tires	10.5/80-18	
Tire pressure	kPa	430
Dimensions		
Wheelbase	mm	3080
Overall length	mm	5880
Height	mm	2400
Width	mm	2260
Track width	mm	1650(Front),1550(Rear)
Min turning radius	mm	5560
Min ground clearance	mm	330
Carriage size(L×W×H)	mm	3200×2000×1000
The angle of dumping	(°)	≤50



KINTA MODULAR SERIES

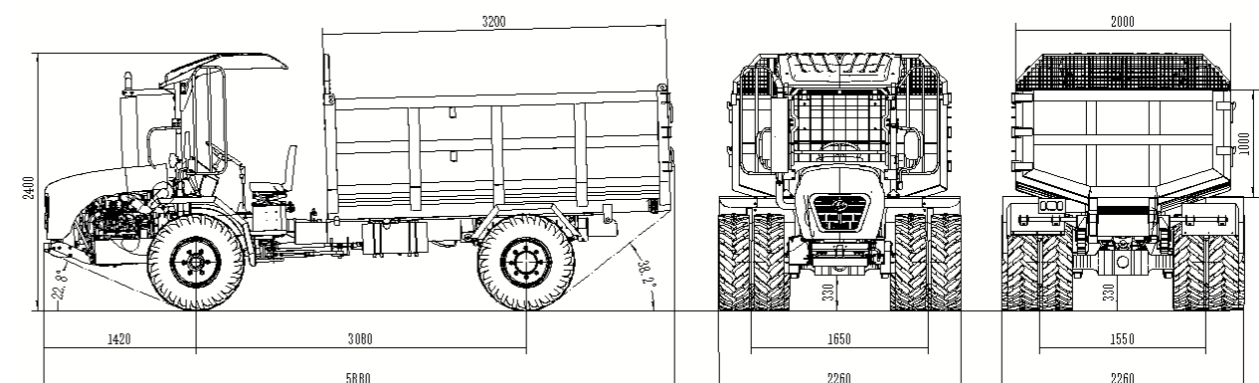
MS80

5MT CAPACITY

80 HP Tractor with Tipping Trailer

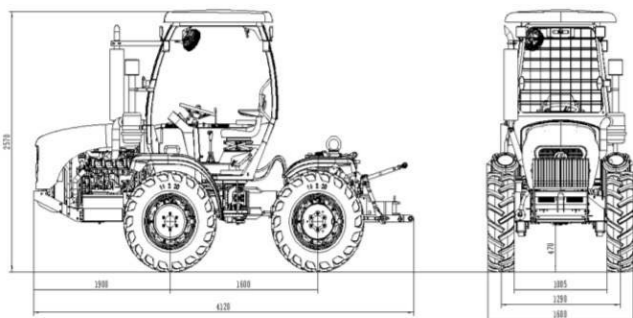


Dimensions



Specifications

Model	MS50-3PL	
Engine Performance		
Engine Power hp	(kW)	50 (36.8)
Max torque at 1,800rpm	Nm	200
Rated engine Speed	rpm	2400
Engine		
Engine Type	YCD4T12T-50	
Manufacturer	Yuchai	
No. of Cylinders	4	
Aspiration	Naturally Aspirated	
Transmission		
Gears (forward/reverse)	8/8	
Clutch type	Single Dry Plate Clutch	
Clutch operation	Mechanical	
Power Take-off		
PTO speed	rpm	540/1000
Steering		
Type	Full hydraulic	
Steering mechanism Type	Articulated steering	
Hydraulics		
3-point linkage control	Lever operated	
Max lift capacity	kg	1000
System pressure	Mpa	16+0.5
Brakes		
Braking type	Pneumatic mechanical enclosed braking	
Parking type	Automatically air-cut brake	
Weights and Capacities		
Weight	kg	2700
Fuel tank	litres	48
Wheel Equipment		
Tires	11.2-20	
Tire pressure	kPa	240
Dimensions		
Wheel base	mm	1600
Overall length	mm	4120
Height	mm	2570
Width	mm	1600
Track width	mm	1290
Min turning radius	mm	3020
Min ground clearance	mm	470



KINTA MODULAR SERIES

MS50-3PL

3MT CAPACITY

50 HP Tractor with 3 Point Hitch and Power Take-Off (PTO) Functionality



Integrate with the three-point hitch module for compatibility with a variety of implements that require power take-off (PTO) functionality.



Various Add-Ons Available.

One engine (power module) with various combinations of your choice.



High Ground Clearance Model.



Suitable for challenging ground conditions.

Various Add-Ons Available.

One engine (power module) with various combinations of your choice.

● Application Scenarios:

